

ARCTIKO CRYO 230

true cooling specialists



HIGHLY RELIABLE CRYOGENIC FREEZER WITH INDEPENDENT TRUE DUAL^{LTM} TECHNOLOGY PROVIDES THE BEST SECURITY FOR YOUR SAMPLES.

The cryogenic freezer offers a wide variety of research and long-term storage application for ultra low temperature scientific experiments, preservation of cells, DNA, bone material & bacteria.

► ENERGY EFFICIENT

Arctiko's CRYO 230 freezer only uses 33kwh/24h which is extremely low compared with competitors.

The independent TRUE DUAL^{LTM} technology ensures extremely low cost of ownership and noticeable impact on the runnings costs. Our CRYO is a superior alternative to LN2 based products, e.g. cryotanks. With no LN2 needed, it operates solely on a power supply which lowers the operating costs.

► SUPERIOR PERFORMANCE

The dual cooling system is designed to keep the unit at -150°C, and with only one cooling system active the unit is still able to achieve -130°C – with an outstanding uniformity of +/-3°C.

The TRUE DUAL^{LTM} technology makes sure that you are provided with the best and most secure and reliable cryogenic freezers with excellent temperature stability and superior performance.

► MOST SECURE CHOICE

Arctiko's CRYO freezer eliminates the cost of LN2 storage maintenance and avoids hazardous operation conditions.

Arctiko's CRYO freezers are specially developed to avoid cross contamination and to provide a more environmentally friendly economic alternative to the LN2 cryotanks. Choosing this CRYO you will have one of the most reliable freezers available in the market.



TRUE DUAL^{LTM} TECHNOLOGY



FILTERLESS CONSTRUCTION



REDUCED NOISE LEVEL

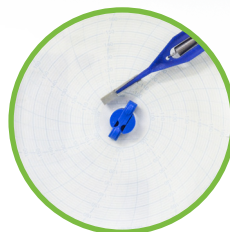


LOW ENERGY CONSUMPTION



CRYO 230

REACHES -150 °C IN LESS THAN 6 HOURS!



Temperature chart recorder for recording of temperature (optinal).

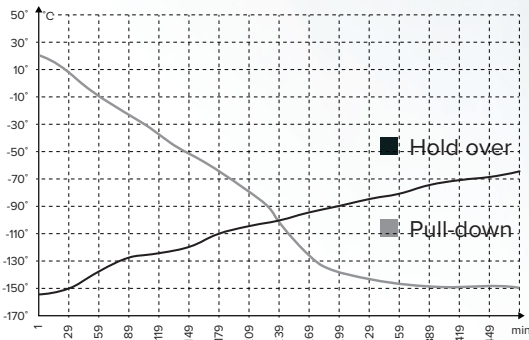
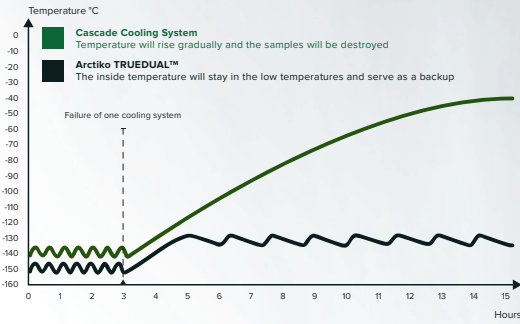


User-friendly controller with access to all the necessary functions.



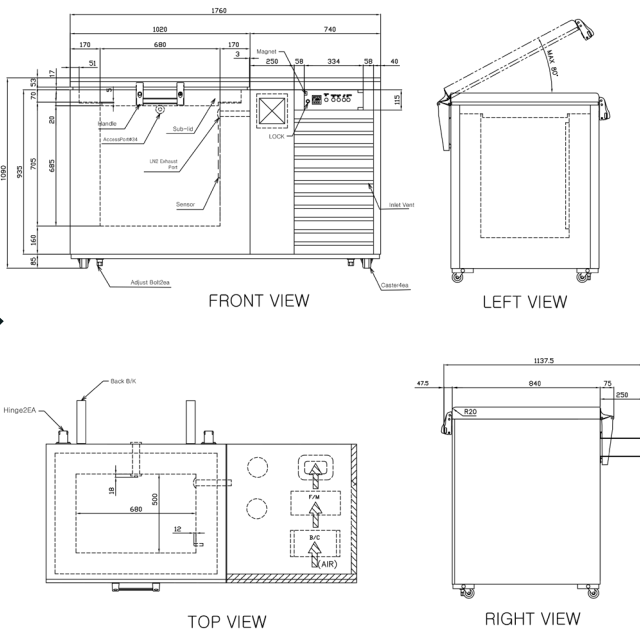
Key lock is standard feature in our CRYO 230. Placed on handle for optimal security of your samples.





▲ IMPROVED RECOVERY TIMES

Pull-down times measures the time taken for temperature to rise, the faster the better. Hold over indication the freezers ability to keep the samples safe.



The ARCTIKO CRYO 230 supports following optional features:

- LN2 backup
- GSM alarm module
- Racks & boxes
- Cryo gloves

GO WITH TRUE DUAL™ COOLING TECHNOLOGY FOR EXTRA SECURITY

MODEL		CRYO 230	
Main specifications	Item code	DAI 0198	
	Temperature range (°C)	-140 / -150	
	Max. ambient temperature (°C)	30	
	Capacity (L)	233	
	Exterior dimensions WxDxH (mm)	1760x962,5/1137,5x1090	
	Interior dimensions WxDxH (mm)	680x500x685	
	Weight (KG)	391	
	Insulation (mm)	170	
	Cooling technology	dual system / static	
	Controller model / probe type	TTM-004 / PT100	
Power	Power supply (V)	3 x 400	
	Frequency (Hz)	50	
	Power consumption (kWh/24h)	33.5	
	AMP (A)	4.7	
	Power (Watt)	2021	
	Horse power (HP)	2 x 1 1/2	
Alarm functions	Alarm display as text - not codes	no	
	Visual / acoustic alarm	yes / yes	
	Power failure alarm	yes	
	Adjustable high / low temperature alarm	yes / yes	
	Open door alarm	no	
	Probe failure alarm	yes	
	Low battery alarm	no	
Data logging & external connection	Compressor failure alarm	no	
	Battery backup for alarms (approx. hrs.)	48	
	Voltage free contact for remote alarm (e.g. GSM alarm module)	yes	
	Electronic data logger	no	
	RS 485 port	no	
	USB port for software update & data download	no	
	Temperature chart recorder	yes	
	Display features	Display type	LED display
		Number of optional reference probes	no
		Password protection for turning unit on / off	no
Temperature graph on display		no	
Other features	Automatic defrost	no	
	Vacuum release port	yes	
	Access port for external probe etc. (int. diameter mm)	20	
	Light	no	
	Lock with key	yes	
	Castors (total pcs) / castors with brake (pcs)	4 / 0	
	Fixed feet (pcs) / levelling feet (pcs)	0 / 2	
	Sub lids / inner doors (pcs)	2	
	Reversible door(s)	no	
	Fixed shelves (pcs) / adjustable shelves (pcs)	no	
	Adjustable drawers (pcs)	no	
	Baskets (pcs)	no	
	Total capacity of 50 mm boxes 9x9 didviders (pcs)	144	
Total capacity of 75 mm boxes 9x9 didviders (pcs)	96		
Total capacity of 96 mm boxes 9x9 didviders (pcs)	72		
Refrigeration & cabinet	Number of compressors	2	
	Refrigerant	mix	
	Interior cabinet material	stainless steel	
	Exterior cabinet material	painted steel	
	Colour (exterior cabinet)	ivory	
	Foam type	polyurethane	
Shipping	VIP vacuum insulated panels	no	
	Shipping weight (KG)	563	
	Shipping dimensions WxDxH (cm)	210x122x140	
Shipping volume (m³)	3,59		